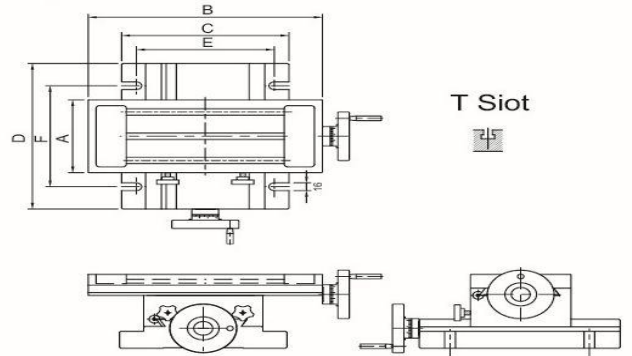


VCT-407



VCT-514



DRAWING OF VCT-514

Unit:mm

- Material: over FC-30
- Precision: 0.02/100mm

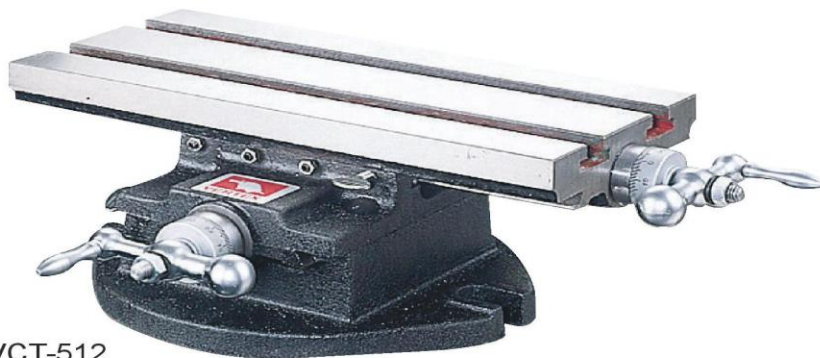
**Specifications**

ORDER NO.	A	B	C	D	E	F	Travel Stroke	T Slot	Total height	Dial graduation	PACKING LxWxH mm	WEIGHT kgs	MAX.LOAD kgs	CODE NO.
VCT-407	100	180	130	100	115	50	50x80	3/8"	100	2.5mm/0.02	290x240x140	12	35	1007-001
VCT-514	150	350	250	300	206	208	156x170	3/8"	134	4mm/0.02	510x450x240	33.5	105	1007-002
VCT-820	200	500	300	400	250	290	200x250	3/8"	155	4mm/0.02	640x520x200	72	140	1007-003
VCT-1024	250	600	400	500	340	430	250x300	1/2"	210	4mm/0.02	790x680x310	141	175	1007-004

 **Cross Table**

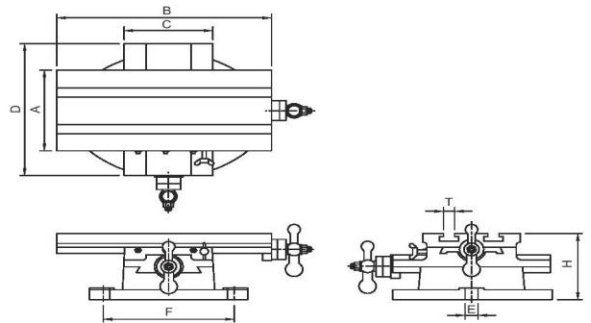
ORDER NO.VCT-512 CODE NO.1007-020

LIGHT DUTY



VCT-512

Table: 310x141mm  
 Height: 115mm  
 Travel: 200mm longitudinal.  
 125mm transverse.  
 Base: 225mm x 200mm oval with U slots for up to 16 bolts on 190 to 210 bolts circle.  
 Dial Graduated: 0.03mm  
 Net weight: 16.5kgs  
 Max.Load:20kgs  
 Packing Volume of each unit: 430x265x155mm  
 LIGHT DUTY ONLY



ORDER NO.	A	B	C	D	E	F	Stroke	T Slot	Total height	PACKING LxWxH mm	WEIGHT kgs	CODE NO
VCT-512	141	310	128	230	19	185	200x125	16	115mm	430x265x155	16.5	1007-020